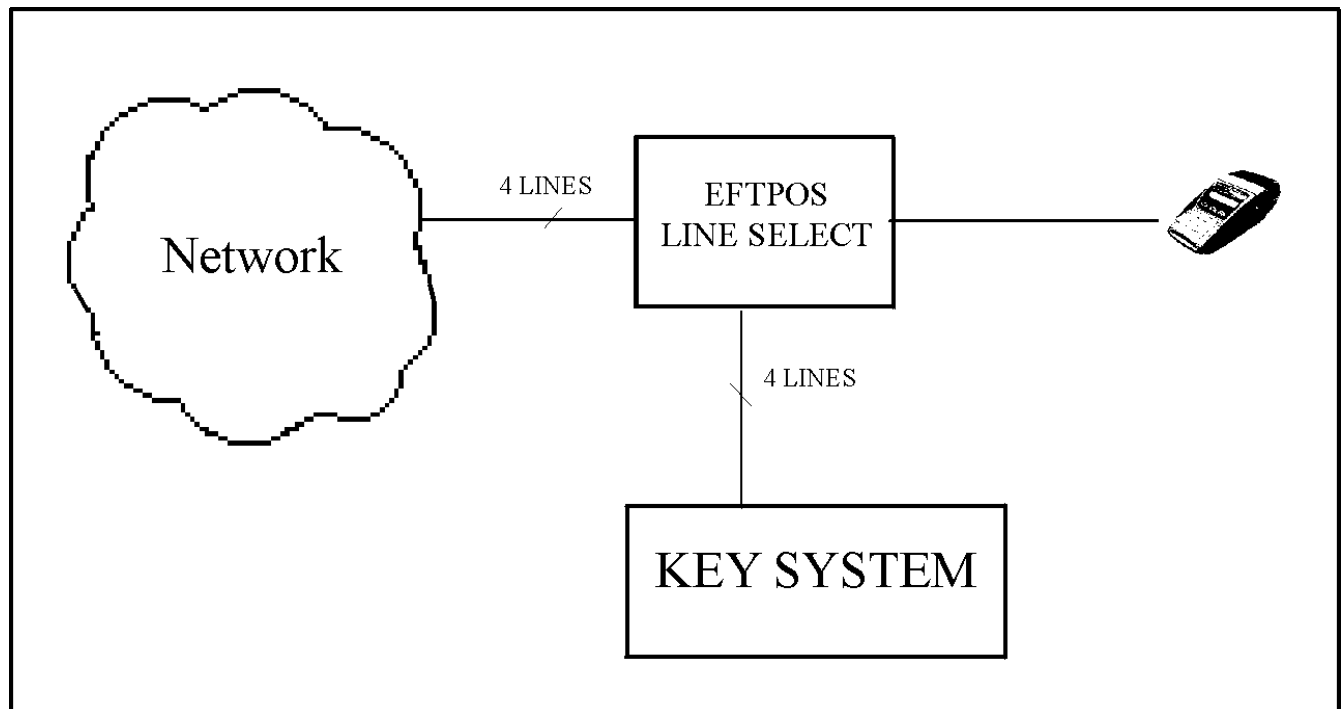


EFTPOS TERMINAL LINE SELECTORS

These units are designed to connect an EFTPOS terminal to an available exchange line when required. In many cases an EFTPOS terminal requires a dedicated exchange line or the need to share a single line with a Key System or FAX machine. Should this line be busy at the time a transaction is required a lengthy delay may be unavoidable.

Unit 1 connects to 4 exchange lines on a Key System and connects the EFTPOS machine to the first free line when a transaction is required. This relieves the constant concern that someone may be using the one line when it is needed by the EFTPOS terminal.

EFTPOS Line Select Unit (Item No. 1090)



Unit 2 is used when multiple EFTPOS terminals (Max 8) share 2 exchange lines.
The unit connects the first 2 terminals to the available lines and then queues the rest and connects them in order of request. Since the average EFTPOS connection time is very short, this is not a problem.

EFTPOS Line Sharing Unit (Item No. 1091)

