

P.A. Interface

The P.A. Interface is used on a Telephone System, where anyone can dial an extension or trunk to connect to a public address system.

The PABX equipment used is:

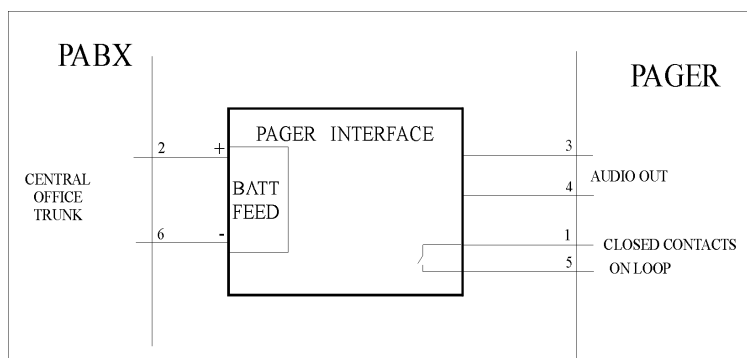
1. Central Office Trunk (COT)
2. PABX extension circuit

1. **A Central Office Trunk circuit** (COT) and is assigned a 1 or 2 digit access code.

The Pager Interface provides the correct battery feed termination to this circuit and an isolated audible line voltage output to the P.A.. In addition when the trunk is looped a relay within the interface operates, providing a closed contact output to the P.A. should press to talk or muting be required.

This is the preferred option, since it is monitored by the PABX. When the calling extension hangs up the circuit connection is released.

Item No. 1180



2. **An Extension circuit** is used to interface to the P.A. system.

The Interface behaves like an ordinary analogue extension. This interface acts like the other model, answering to incoming ring and extending an audible signal to the P.A. system. The difference is that it contains a control module that:

Times the call and disconnects after a preprogrammed time period.

Monitors for busy tone after a period and disconnects the connection.

Monitors for DTMF and disconnects on detection of signal

Item No. 1181

