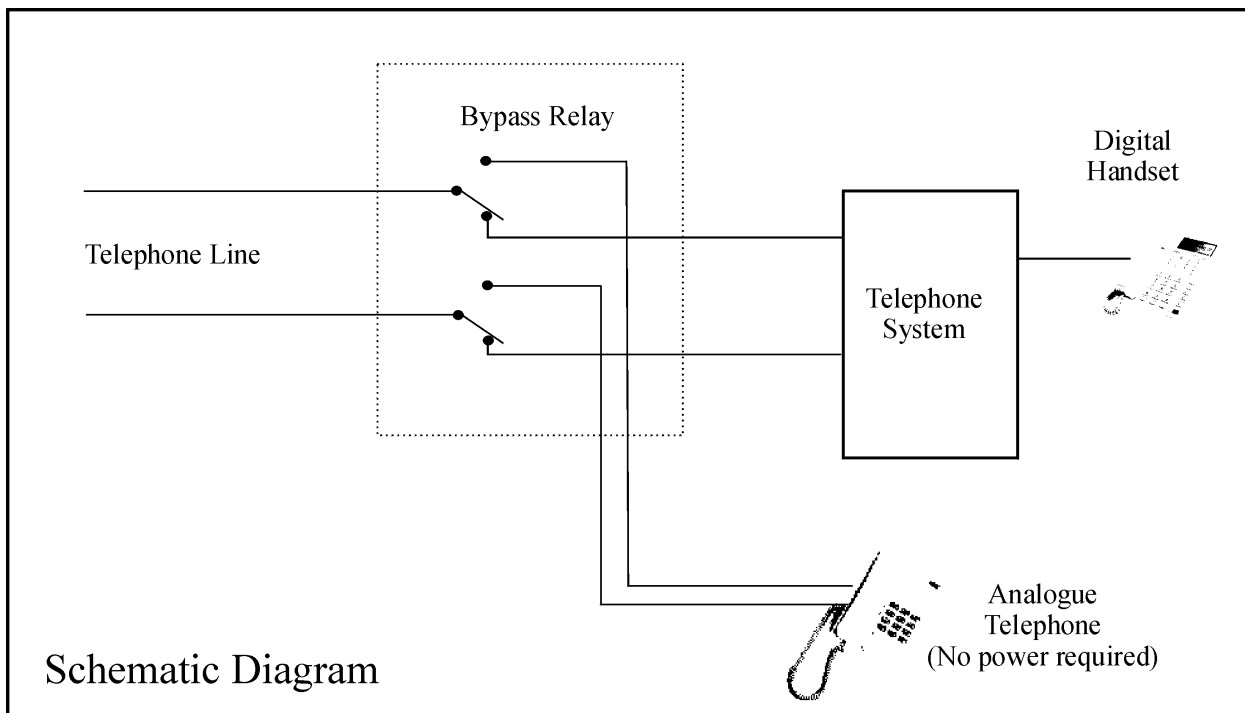


# Power Fail Bypass Unit

*Power Fail Bypass is a facility that all telephone systems, used to provide. This is no longer the case, and yet many people still require it. Power failure often means that the telephones do not work, resulting in loss of business.*

## OPERATION

A power fail circuit is a relay that is operated by the Telephone Systems' power supply or its' own power connected to the same 240 volt power source. Incoming or both-way ring-down lines are connected through these relays to the telephone system. When power fails (and therefore the system stops working) these relays drop out and connect the telephone lines through to dedicated (analogue) handsets. This enables incoming calls to be answered and outgoing calls to be made until power is restored.



*We manufacture 3 models:*

- 3 Line Power Fail Bypass (pictured)
- 4 Line Power Fail Bypass
- 10 Line Power fail Bypass