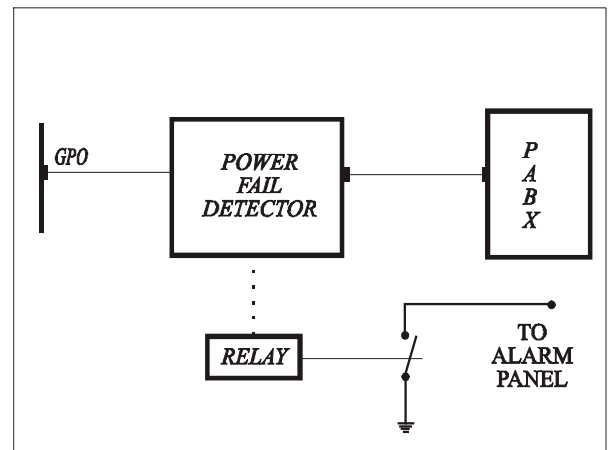


Power Fail Detector

The PABX is powered via the Power Fail Detector. When power is On, a relay is held in the operated condition. When power fails the relay releases and extends an earth via the normally closed contacts to an Alarm Panel.



Item No. 1030